

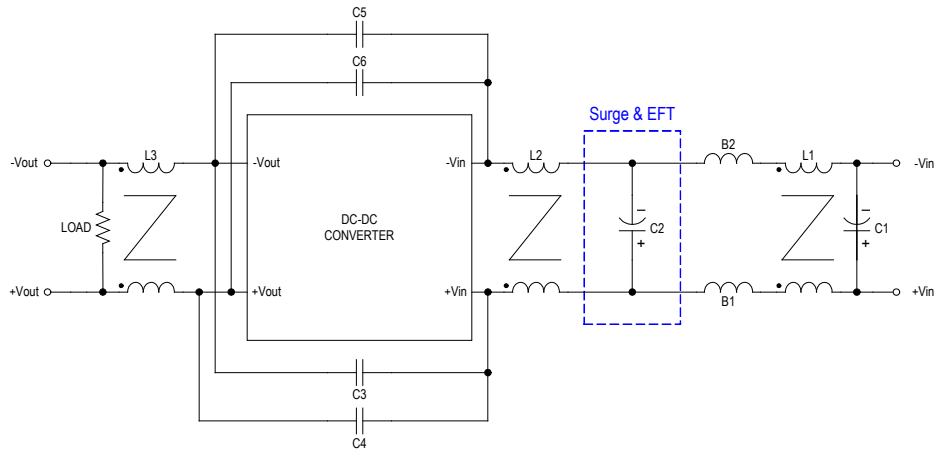


**MINMAX<sup>®</sup>**

MRZI75 Series - EMC Notes

# MRZI75 Series - EMC Notes

## External Filter meets Total solution (for EFT & Surge & EMI) EN 55032, class A



| Model         | C1                                       | L1                   | B1, B2                     | C2                                       | L2   | C3, C5, C6     | C4             | L3                    |
|---------------|--|----------------------|----------------------------|--|--|----------------|----------------|-----------------------|
| MRZI75 Series | 150 $\mu$ F/200V<br>CHEMI-CON KXJ Series | 7mH/7A<br>7448040707 | 2 $\mu$ H/5A<br>7847111020 | 390 $\mu$ F/200V<br>CHEMI-CON KXJ Series | 700 $\Omega$ (100MHz)/8A<br>ACM1211-701-2PL-TL01 | 1000pF/Y1 Cap. | 1500pF/Y1 Cap. | 1mH/20A<br>7448042001 |

## Recommended PCB Layout with Input Filter

